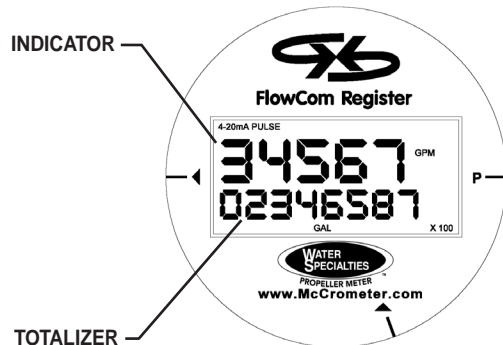




MODEL ML08-D
 300 psi FLANGED TUBE METER
 SOLID STATE ELECTRONIC PROPELLER METER
 DIGITAL INDICATOR - TOTALIZER
 SIZES 2" thru 48"



TYPICAL
 DIGITAL INDICATOR-TOTALIZER



DESCRIPTION

MODEL ML08-D FLANGED TUBE METERS are manufactured to the highest standards. Materials used on all meters and flow ranges for the low velocity meter meet or exceed AWWA standard C704-02. The flanged end tube design permits use in a wide range of applications with up to 300 psi working pressure. Flanged ends are 300 lb. AWWA class "F" raised face steel flanges. Fabricated steel meter tubes have straightening vanes and are protected internally and externally with 12-15 mils of NSF approved, fusion epoxy resin.

INSTALLATION is made similar to placing a short length of flanged end pipe in the line. The meter can be installed horizontally or inclined on suction or discharge lines. The meter must have a full flow of liquid for proper accuracy. Fully opened gate valves, fittings or other obstructions that tend to set up flow disturbances should be a minimum of five pipe diameters upstream and one pipe diameter downstream from the meter. An optional remote mounting kit with up to 100 feet of cable is available to locate the indicator-totalizer at remote locations.

PROPELLER is magnetically coupled with electronic sensor through the sealed gearbox. This completely eliminates water entering the meter assembly, and eliminates all moving parts except for the propeller. The propeller is a conical shaped three bladed propeller, injection molded of thermoplastic material resistant to normal water corrosion and deformation due to high flow velocities.

BEARING in propeller is a water lubricated ceramic sleeve and spindle system with a ceramic/stainless steel spindle. Dual ceramic thrust bearings, standard on all meters, handle flows in both forward and reverse directions. The bearing design promotes extended periods of maintenance free propeller operation.

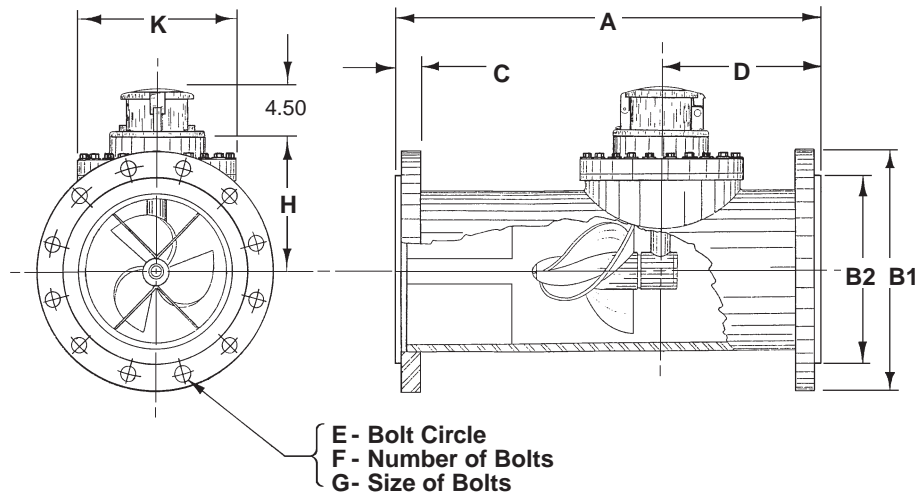
DIGITAL INDICATOR-TOTALIZER has a non-volatile EEPROM memory to store totalizer count (updated hourly while running). Features a large two line display. Five digit top line indicates flow rate, and eight digit bottom line provides volumetric flow data. Indicator is available in 22 different units, including GPM, CFS, MGD. Totalizer is available in 20 different units, including Gallons, AF, CF. Units of measurement are user-selectable. Battery life is 6 -10 years. Housing is NEMA 4X rated.

Available with optional 4-20mA and/or pulse output.

SPECIFICATIONS

ACCURACY	Plus or minus 2% of actual flow within the range specified for each meter size.
PRESSURE RANGE	Up to 300 PSI maximum working pressure.
TEMPERATURE RANGE	140° F Maximum. Consult factory for special construction for higher temperatures.
MINIMUM FLOWS	As shown for each meter size and construction are required for accurate registration. See flow chart.
MAXIMUM FLOWS	As shown for each meter size and construction are required for accurate registration. See flow chart.
INTERMITTENT FLOWS	As shown for each meter size are rated for 10% to 15% of the total time the meter is operating. Consult factory for High Velocity construction when intermittent flows are higher than shown on flow chart and/or when longer operating periods are required.
MATERIALS	Used in construction are chosen to minimize the corrosive effects of the liquids measured by the meter assembly. PROPELLER MAGNET - permanent ceramic type. PROPELLER BEARING - ceramic sleeve type. PROPELLER SPINDLE - ceramic coated stainless steel. PROPELLER - injection molded thermoplastic. GEARBOX - cast bronze. SEPARATOR - stainless steel. METER HEAD BOLTS - stainless steel (2"-20"), plated steel (24"-72"). METER HEAD - cast iron or fabricated steel, fusion epoxy coated. METER TUBE - fabricated steel with straightening vanes and coated inside and out with 12-15 mils of NSF approved, fusion epoxy by the fluidized bed method.
OPTIONAL EQUIPMENT	Includes a remote mounting kit with up to 100 feet of cable, totalizer extensions, digital transmitter, and a wide range of controls and instruments for indicating, totalizing and recording flow data for each meter. Special constructions and materials are available upon request.
ORDERING INFO	Must be specified by the customer and includes: Minimum & maximum flow ranges Temperature of meter environment Indicator scale & units Totalizer dial units Type of materials and construction Optional equipment desired

MODEL ML08-D
 300 psi FLANGED TUBE METER
 SOLID STATE ELECTRONIC PROPELLER METER
 DIGITAL INDICATOR - TOTALIZER
 SIZES 2" thru 48"



METER & PIPE SIZE	FLOW RANGES, GPM			DIMENSIONS										EST. SHIPPING WEIGHT POUNDS
	*LOW VELOCITY CONSTRUCTION MIN. - MAX.	STANDARD CONSTRUCTION MIN. - MAX. - INT.	HIGH VELOCITY CONSTRUCTION MIN. - MAX.	A	B1	B2	C	D	E	F	G	H	K	
2	N/A	40-160-225	N/A	18	6 1/2	3 5/8	7/8	7	5	8	3/4	5 3/16	9	85
3	40-250	45-250-350	N/A	18	8 1/4	5	1 1/8	7	6 5/8	8	3/4	5 3/16	9	85
4	50-500	55-500-700	200-700	18	10	6 3/16	1 1/8	7	7 7/8	8	3/4	5 3/16	9	122
6	90-1200	120-1200-1500	300-1500	22	12 1/2	8 1/2	1 3/8	9	10 5/8	12	3/4	6 1/4	9	167
8	100-1500	150-1500-2000	400-2500	24	15	10 5/8	1 9/16	9	13	12	7/8	7 1/4	9	237
10	125-2000	180-2000-3000	500-3500	26	17 1/2	12 3/4	1 5/8	10	15 1/4	16	1	8 1/2	11	310
12	150-2800	200-3000-3500	800-5000	28	20 1/2	15	1 13/16	10	17 3/4	16	1 1/8	9 1/2	11	400
14	250-3750	300-4000-4500	1000-6000	42	23	16 1/4	1 15/16	12	20 1/4	20	1 1/8	10 1/2	13 1/2	600
16	350-4750	400-5000-6000	1200-7500	48	25 1/2	18 1/2	2 1/16	12	22 1/2	20	1 1/4	11 1/2	13 1/2	800
18	450-5625	700-6000-7500	1500-9000	54	28	21	2 3/16	15	24 3/4	24	1 1/4	12 1/2	13 1/2	1080
20	550-6875	850-8000-9000	2000-12000	60	30 1/2	23	2 7/16	15	27	24	1 1/4	13 1/2	13 1/2	1260
24	800-10000	1000-10000-13500	3000-15000	72	36	27 1/4	2 11/16	18	32	24	1 1/2	17 3/4	23	2040
30	1200-15000	1800-15000-21000	4000-25000	84	43	35	2 15/16	18	39 1/4	28	1 3/4	20 3/4	23	3220
36	1500-20000	2000-20000-30000	5000-35000	96	50	42	3 3/16	20	46	32	2	23 3/4	23	4550
42	2000-28000	3000-30000-40000	6000-50000	96	57	50 7/16	3 7/16	24	52 3/4	36	2	28	36	5900
48	2500-35000	5500-35000-50000	7000-60000	96	65	58 7/16	3 9/16	24	60 3/4	40	2	31	36	7200

Standard construction will be supplied for all main line meters unless special flow range, materials, or construction are required.

* Low velocity (LV) construction has the same low and maximum flow rates as AWWA C704-02.