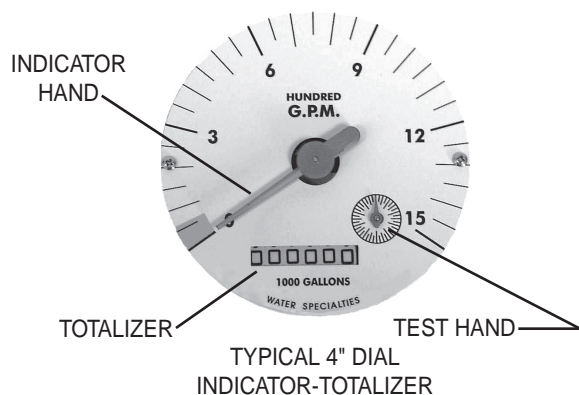




**MODEL ML08**  
 300 psi FLANGED TUBE METER  
 SEALED METER MECHANISM - MAGNETIC DRIVE  
 INDICATOR - TOTALIZER  
 SIZE 2" thru 48"



#### DESCRIPTION

**MODEL ML08 FLANGED TUBE METERS** are manufactured to the highest standards. Materials used on all meters and flow ranges for the low velocity meter meet or exceed AWWA standard C704-02. The flanged end tube design permits use in a wide range of applications with up to 300 psi working pressure. Flanged ends are 300 lb. AWWA class "F" raised face steel flanges. Fabricated steel meter tubes have straightening vanes and are protected internally and externally with 12-15 mils of NSF approved fusion epoxy resin.

**INSTALLATION** is made similar to placing a short length of flanged end pipe in the line. The meter can be installed horizontally or inclined on suction or discharge lines. The meter must have a full flow of liquid for proper accuracy. Fully opened gate valves, fittings or other obstructions that tend to set up flow disturbances should be a minimum of five pipe diameters upstream and one pipe diameter downstream from the meter.

**PROPELLER** is magnetically coupled with the drive mechanism through the sealed oil filled gearbox. This completely eliminates water entering the meter assembly, as well as the need for any packing gland. The propeller is a conical shaped three bladed propeller, injection molded of thermoplastic material resistant to normal water corrosion and deformity due to high flow velocities.

**BEARING** in propeller is a water lubricated ceramic sleeve and spindle system with a ceramic/stainless steel spindle. Dual ceramic thrust bearings, standard on all meters, handle flows in both forward and reverse directions. The bearing design promotes extended periods of maintenance free propeller operation. Bearings within the sealed meter mechanism are shielded precision stainless steel bearings and are factory lubricated for the life of the meter.

**INDICATOR-TOTALIZER** is mechanically driven by the meter mechanism and features a full 4" diameter, 250 degree sweep dial with a six digit, straight reading type totalizer and sweep test hand. The indicator drive mechanism is temperature compensated so the indicator will be accurate at all points on the dial when operated between 32° and 140° F. The indicator dial can be furnished in GPM, CFS, MGD or any standard liquid measuring units with choice of standard totalizer measuring units. The bonnet, with padlock hasp, is o-ring sealed to the meter head.

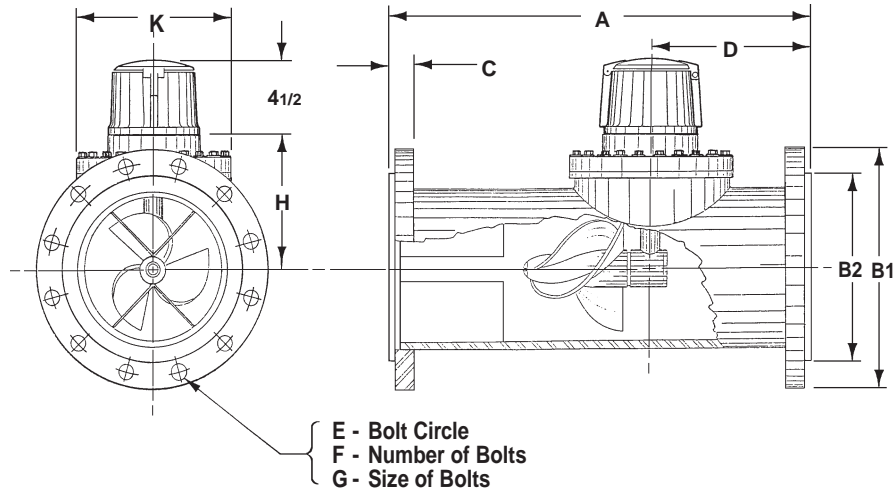
**CHANGE GEARS** may be easily exchanged in the field when changing the dial, or when recalibrating for different pipe sizes. It is not necessary to remove pressure from the line for these changes.

**O-RING SEALS** are used at the meter head and all points where seals are required, making the meter mechanism completely immune to any of the corrosive effects of atmospheric moisture or the liquids measured by the meter assembly.

#### SPECIFICATIONS

<b>ACCURACY</b>	Plus or minus 2% of actual flow within the range specified for each meter size.
<b>PRESSURE RANGE</b>	Up to 300 PSI maximum working pressure.
<b>TEMPERATURE RANGE</b>	140° F Maximum. Consult factory for special construction for higher temperatures.
<b>MINIMUM FLOWS</b>	As shown for each meter size and construction are required for accurate registration. See flow chart. NOTE: Minimum flow will be higher when auxiliary equipment is added.
<b>MAXIMUM FLOWS</b>	As shown for each meter size and construction are required for accurate registration. See flow chart.
<b>INTERMITTENT FLOWS</b>	As shown for each meter size are rated for 10% to 15% of the total time the meter is operating. Consult factory for High Velocity construction when intermittent flows are higher than shown on flow chart and/or when longer operating periods are required.
<b>MATERIALS</b>	Used in construction are chosen to minimize the corrosive effects of the liquids measured by the meter assembly. <b>MAGNETS</b> - permanent ceramic type. <b>INTERIOR BEARINGS</b> - shielded stainless steel. <b>PROPELLER BEARING</b> - ceramic sleeve type. <b>PROPELLER SPINDLE</b> - ceramic sleeve/stainless steel. <b>PROPELLER</b> - injection molded thermoplastic. <b>GEARBOX</b> - cast bronze. <b>SEPARATOR</b> - stainless steel. <b>SHAFTS</b> - stainless steel. <b>METER HEAD BOLTS</b> - stainless steel (2"-20"), plated steel (24"-72"). <b>METER HEAD</b> - cast iron or fabricated steel, NSF approved fusion epoxy coated. <b>METER TUBE</b> - fabricated steel with straightening vanes and coated inside and out with 12-15 mils of NSF approved fusion epoxy by the fluidized bed method.
<b>OPTIONAL EQUIPMENT</b>	Totalizer Extensions and a wide range of controls and instruments for indicating, totalizing and recording flow data for each meter. Special constructions and materials are available upon request.
<b>ORDERING INFO</b>	Must be specified by the customer and includes: Minimum & maximum flow ranges Temperature of meter environment Totalizer dial units Type of materials and construction Optional equipment desired

**MODEL ML08**  
 300 psi FLANGED TUBE METER  
 SEALED METER MECHANISM -- MAGNETIC DRIVE  
 INDICATOR-TOTALIZER  
 SIZES 2" thru 48"



METER & PIPE SIZE	FLOW RANGES, GPM			DIMENSIONS										EST. SHIPPING WEIGHT POUNDS
	*LOW VELOCITY CONSTRUCTION MIN. - MAX.	STANDARD CONSTRUCTION MIN. - MAX. - INT.	HIGH VELOCITY CONSTRUCTION MIN. - MAX.	A	B1	B2	C	D	E	F	G	H	K	
2	N/A	40-160-225	N/A	18	6 1/2	3 5/8	7/8	7	5	8	3/4	5 3/16	9	85
3	40-250	45-250-350	N/A	18	8 1/4	5	1 1/8	7	6 5/8	8	3/4	5 3/16	9	85
4	50-500	55-500-700	200-700	18	10	6 3/16	1 1/8	7	7 7/8	8	3/4	5 3/16	9	122
6	90-1200	120-1200-1500	300-1500	22	12 1/2	8 1/2	1 3/8	9	10 5/8	12	3/4	6 1/4	9	167
8	100-1500	150-1500-2000	400-2500	24	15	10 5/8	1 9/16	9	13	12	7/8	7 1/4	9	237
10	125-2000	180-2000-3000	500-3500	26	17 1/2	12 3/4	1 5/8	10	15 1/4	16	1	8 1/2	11	310
12	150-2800	200-3000-3500	800-5000	28	20 1/2	15	1 13/16	10	17 3/4	16	1 1/8	9 1/2	11	400
14	250-3750	300-4000-4500	1000-6000	42	23	16 1/4	1 15/16	12	20 1/4	20	1 1/8	10 1/2	13 1/2	600
16	350-4750	400-5000-6000	1200-7500	48	25 1/2	18 1/2	2 1/16	12	22 1/2	20	1 1/4	11 1/2	13 1/2	800
18	N/A	700-6000-7500	1500-9000	54	28	21	2 3/16	15	24 3/4	24	1 1/4	12 1/2	13 1/2	1080
20	N/A	850-8000-9000	2000-12000	60	30 1/2	23	2 7/16	15	27	24	1 1/4	13 1/2	13 1/2	1260
24	N/A	1000-10000-13500	3000-15000	72	36	27 1/4	2 11/16	18	32	24	1 1/2	17 3/4	23	2040
30	N/A	1800-15000-21000	4000-25000	84	43	35	2 15/16	18	39 1/4	28	1 3/4	20 3/4	23	3220
36	N/A	2000-20000-30000	5000-35000	96	50	42	3 3/16	20	46	32	2	23 3/4	23	4550
42	N/A	3000-30000-40000	6000-50000	96	57	50 7/16	3 7/16	24	52 3/4	36	2	28	36	5900
48	N/A	5500-35000-50000	7000-60000	96	65	58 7/16	3 9/16	24	60 3/4	40	2	31	36	7200

Standard construction will be supplied for all main line meters unless special flow range, materials, or construction are required.

\* Low velocity (LV) construction has the same low and maximum flow rates as AWWA C704.