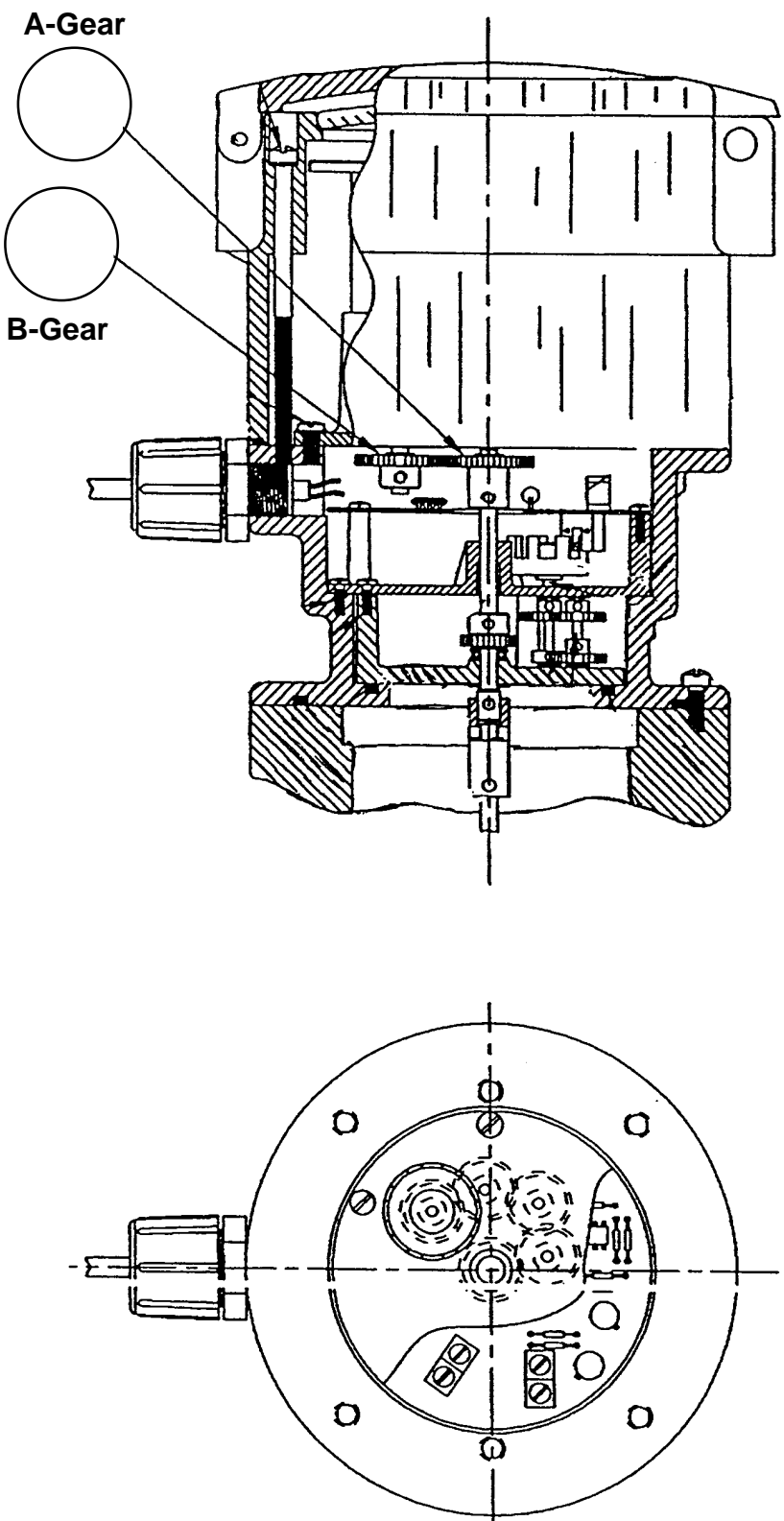




**RE-GEAR CHART FOR METERS WITH  
INDICATOR/TOTALIZER ASSEMBLIES AND  
TRANSMITTER MODELS  
TR16, TR06-1, TR06-1-30 AND TR06-1-150**



DATE \_\_\_\_\_

S/N \_\_\_\_\_

