

RE100-112/K

WIRING

	LEFT PIN	RIGHT PIN
TB2 SENSOR INPUT	BLK(-) 1	RED(+) 2
TB3 4-20ma OUTPUT	RED(+) +	BLK(-) -
TB4 ISO PULSE OUTPUT	WHT(+) +	GRN(-) -

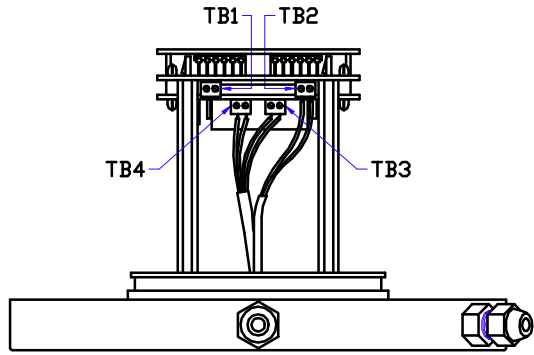


FN: RE100-112_PDF.PDF

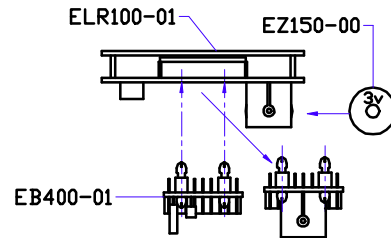
DESC

REGISTER ELECTRONIC ASSEMBLY (REMOTE MOUNT 4-20 OUT)

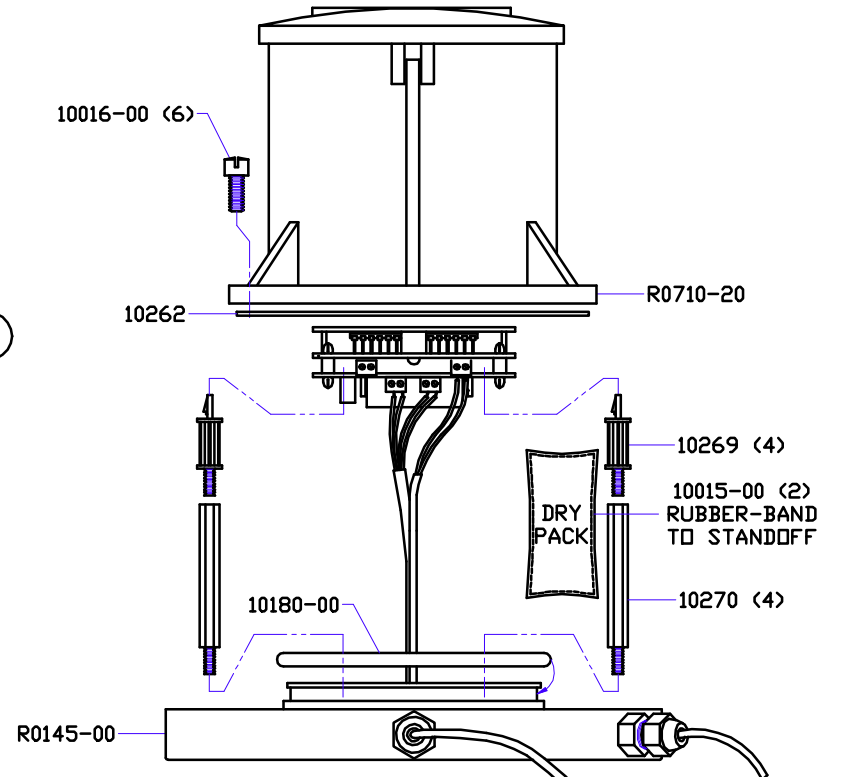
BY	DTG	DATE	APP	RNP	DATE
		11-16-1998			12-23-1998



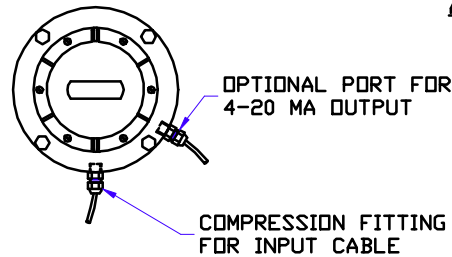
FRONT VIEW



SIDE VIEW
4-20 OUTPUT REGISTER
ASSEMBLY



ASSEMBLY VIEW



TOP VIEW

NOTES:

1. ALL DIMENSIONS ARE IN INCHES.
2. DRAWING IS NOT SHOWN TO SCALE.