

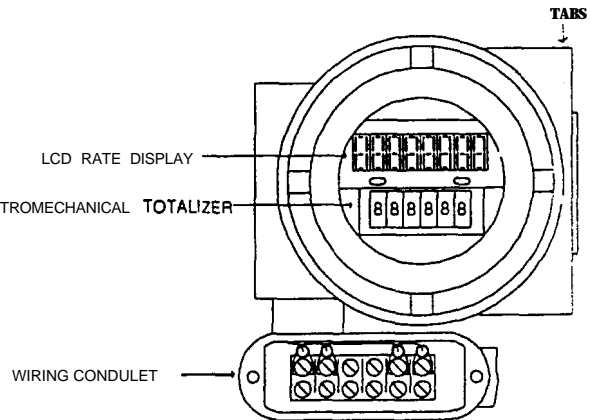
Installation instructions for the Remote Mount R0900 Electronic Register

I. Introduction

This installation procedure outlines the recommended procedure for installing the remotely mounted R0900 Electronic Register.

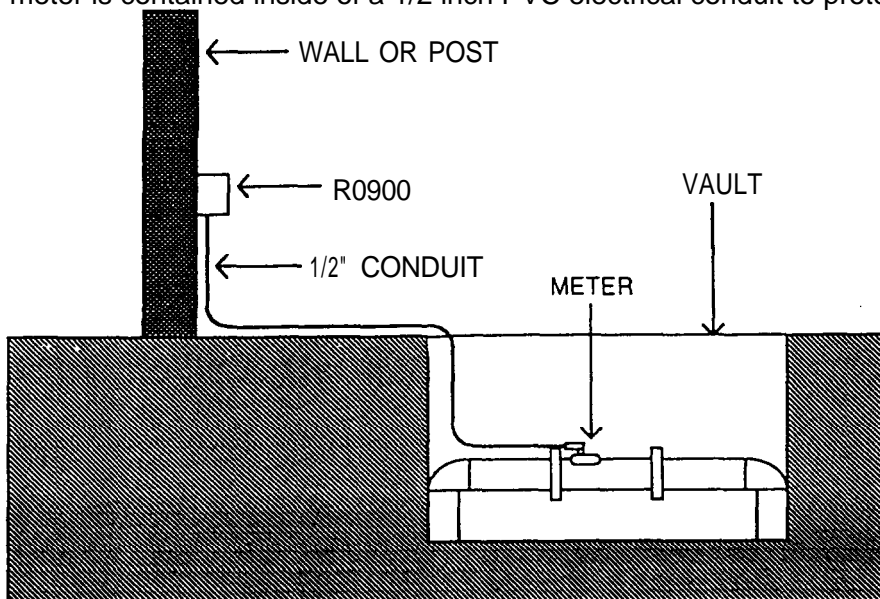
II. Parts Identification

The R0900 comes with an electronic register consisting of a LCD rate indicator, an electromechanical totalizer, enclosed in a composite NEMA 4x enclosure. An electrical one-half inch conduit is attached to the enclosure for wiring. Holes can be drilled in the tabs to allow the R0900 to be mounted to a post or wall.



III. Recommended Installation

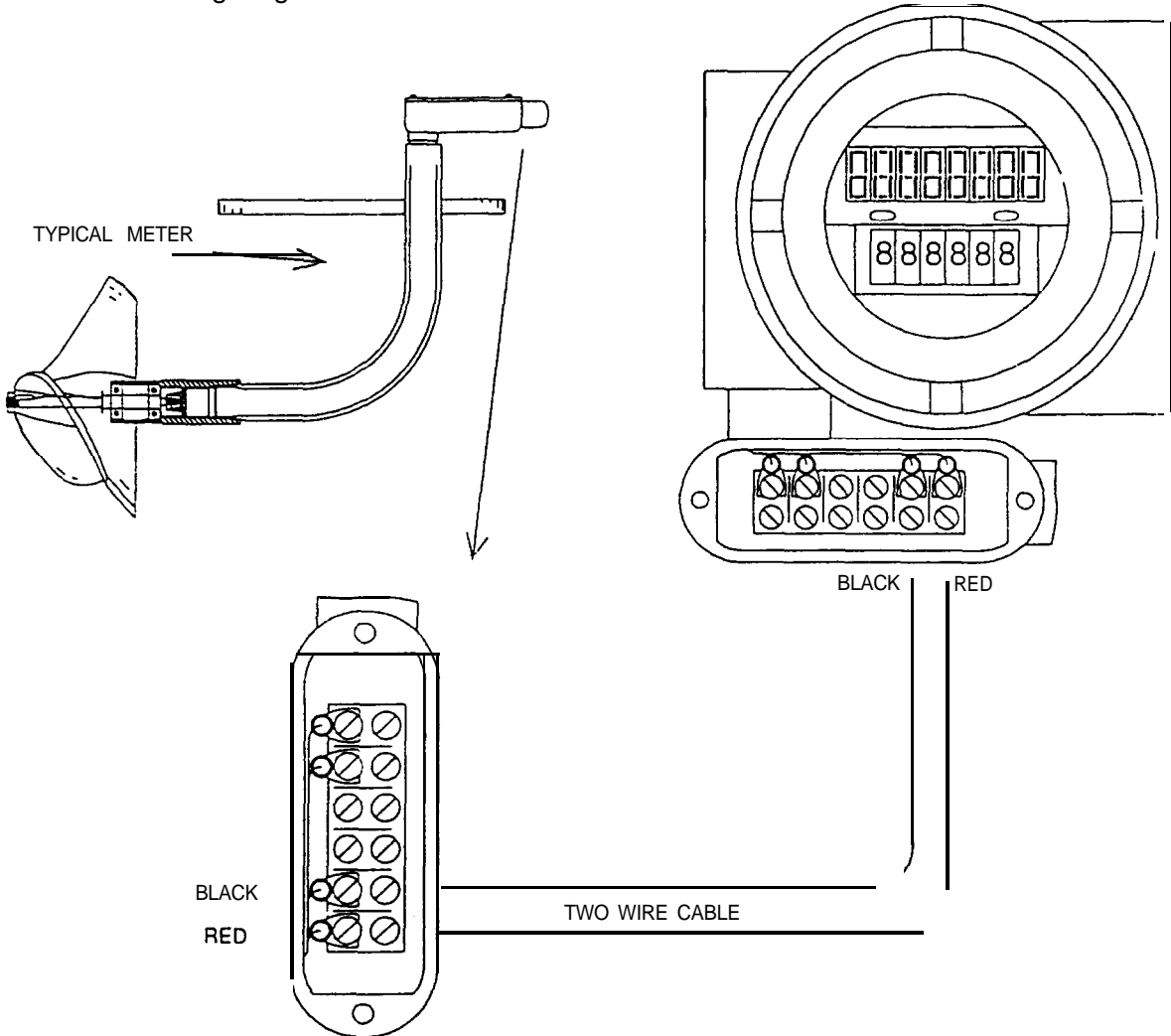
A typical remote installation of the R0900 consists of a meter located in an underground pit or vault. The R0900 must be located within 50 feet of the meter and can be mounted to a post or wall at a comfortable viewing angle. The electrical connection between the R0900 and the meter is contained inside of a 1/2 inch PVC electrical conduit to protect the wires.



The electrical conduit must be sealed from any moisture by using silicone sealer to protect the electronics. Therefore it is recommended that threaded connectors be sealed with Teflon sealing tape and the PVC conduit be glued. It is also recommended that the R0900 be mounted facing north or in a shaded area to avoid sun damage to the LCD.

IV. Wiring Diagram

Use the following diagram to connect the wires between the meter and R0900:



The positions of the wires in the condulets is not important. The black wires should be connected together, and the red wires should be connected together.