

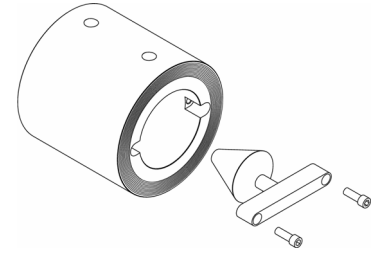
MODEL **VH**

Designed for Flanged Pipelines

Patent 5,814,738

DESCRIPTION AND GENERAL PERFORMANCE SPECIFICATIONS

The Wafer-Cone flowmeter is a differential pressure type flow measurement device. A cone is positioned in the center of the pipe to increase the velocity of the flowing fluid and create a differential pressure. This pressure difference can be measured and used to accurately interpret flowrate. Two taps are provided on every Wafer-Cone to allow sensing of the high and low pressures.



Typical performance specifications:

- Accuracy: ±1.0% of rate *
- Turndown: 10:1
- Repeatability: ±0.1%
- Standard Betas: 0.45 through 0.85
- Headloss: % of Dp, varies with beta ratio
- Installation: 1-3 diameters upstream and 1 diameter downstream

Unique Features:

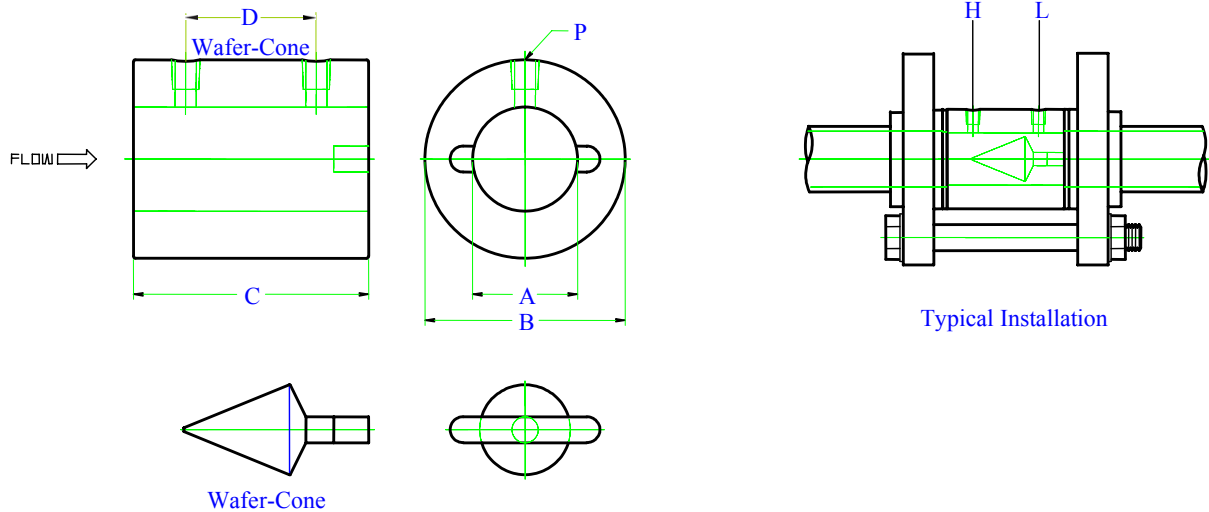
- No Welding (on pressure vessel body)
- Interchangeable Wafer-Cone Elements

Options:

- Gas or Oil Flow Calibration

* Each Wafer-Cone is sized for the intended application. Specific performance ratings must be obtained through the sizing process.

MODEL VH



DIMENSION TABLE

Model	Size inch	ANSI Class 150-2500 AWWA CL D				DIN, JIS				DIN 2576 DIN 2633	DIN 2635	JIS 10k	Pressure Ports	
		A inch	C inch	D inch	B inch	Size mm	A mm	C mm	D mm	B mm	B mm	B mm	P NPT	P RC
VH01	1"	0.957	2.25	1.25	2.00	25	24,31	60	31.8	68	68	67	1/8	1/8
VH0C	1½"	1.500	3	1.7	2.88	40	38,10	80	43.2	88	88	81	1/8	1/4
VH02	2"	1.939	3.38	1.88	3.62	50	49,25	85	47.6	102	102	96	1/4	1/4
VH0D	2½"	2.323	4	2.5	4.12	65	59,00	100	63.5	122	122	116	1/4	1/4
VH03	3"	2.900	4.75	2.75	5.00	80	73,66	120	69.9	138	138	126	1/4	1/4
VH04	4"	3.826	6	3.5	6.19	100	97,18	150	88.9	158	162	151	1/4	1/4
VH06	6"	5.761	9.5	6.0	8.50	150	146,33	240	152.4	212	218	212	1/4	1/4

*Other sizes, lengths and tap specifications are available.

MODEL NUMBER CONFIGURATION VH

Type	Size	Materials	Body Style	Bore	Fittings	Face Style
VH						
01	1"	P CPVC	1 ANSI CL 150 to 2500	S Standard	N NPT	2 O-Ring Seal
0C	1½"	Q S304	2 DIN 2633	X Other	J RC	3 Serrated
02	2"	L S304L	3 DIN 2635		X Other	X Other
0D	2½"	A S316	4 JIS 10k			
03	3"	T PTFE	X Other Style			
04	4"	B Brass				
06	6"	R CPVC Body S316L Cone Other Mat. ‡				

‡Other materials can include the following:

- HASTELLOY C-276 S321H
- DUPLEX 2205 INCONEL 625
- CHROMEMOLY P22/P11 PVC
- MONEL K400/K500 Kel-F, Kynar
- CARBON STEELS
- A350, A333, API5L, A106B

NOTES

1. Bold items in table above are standard construction.
2. Combinations of two different materials can also be specified.
3. Plastic materials limited to sizes 1" to 3". For other sizes please consult factory.

Examples:

Model	Description
VH01-A1SN3	Wafer-Cone 1" line size, S316, ANSI Style, NPT Pressure Ports, Serrated Face
VH03-A4SJ3	Wafer-Cone 3" line size, S316L, JIS 10K, RC Pressure Ports, Serrated Face

ABBREVIATION

NPT	National Pipe Taper
-----	---------------------

Technical questions can be answered through a local representative or through our application engineers.

MANUFACTURING STANDARDS

Specific customer requirements can be complied with upon request.

Each meter is shipped with a centering device.

Non-destructive testing can include:

- Hydrostatic Pressure Testing
- Positive Material Inspection
- Magnetic Particle Examination

OPTIONS

- Accessory Kit: gaskets, long bolts, and nuts
- Alternate cone for different flow range/differential.

REPRESENTED BY: