



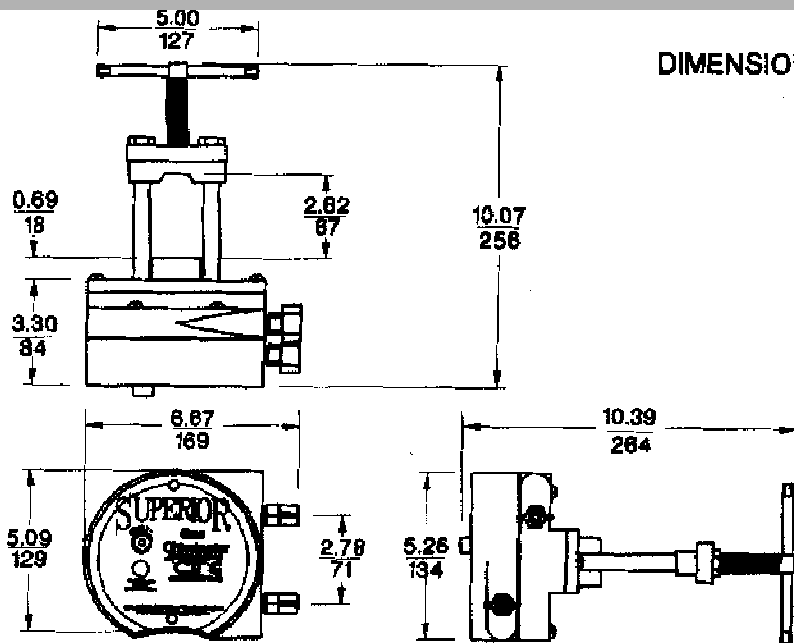
Chemical Injection Technologies

Engineering/Data Bulletin

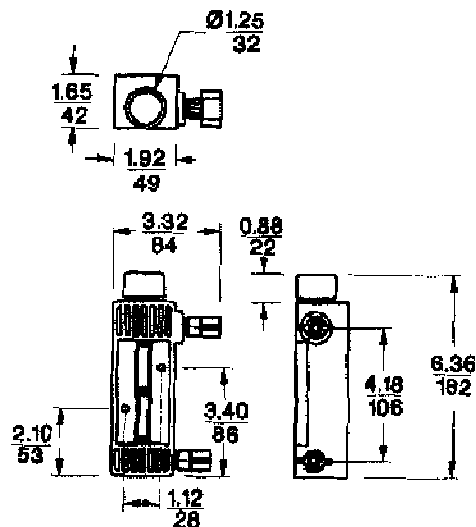
SUPERIOR Gas Chlorinator Assemblies Dimension Sheet

DIMENSIONS:

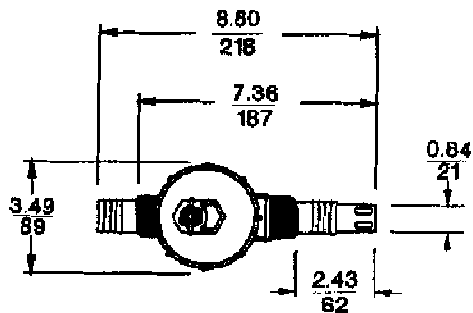
INCHES
MILLIMETERS



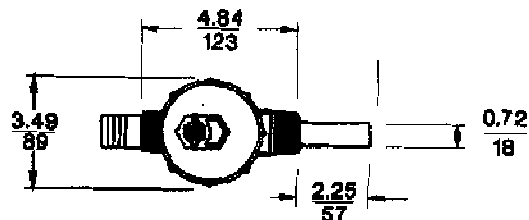
VACUUM REGULATOR UP TO 500 PPD (10 KG/HR)
MODELS VR-1, VR-2, VR-3



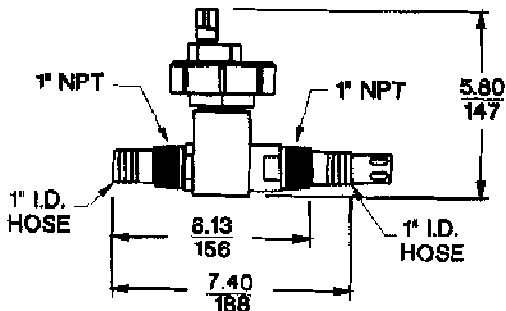
REMOTE METER PANEL
UP TO 500 PPD (10 KG/HR)
MODELS RM-1, RM-2, RM-5



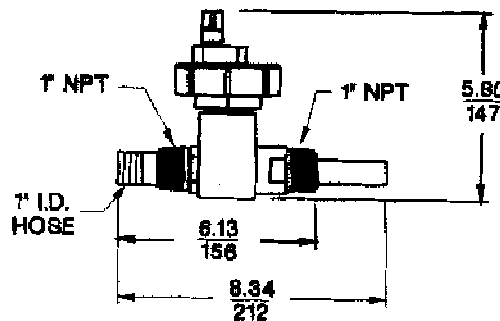
EJECTOR UP TO 200 PPD (5 KG/HR)

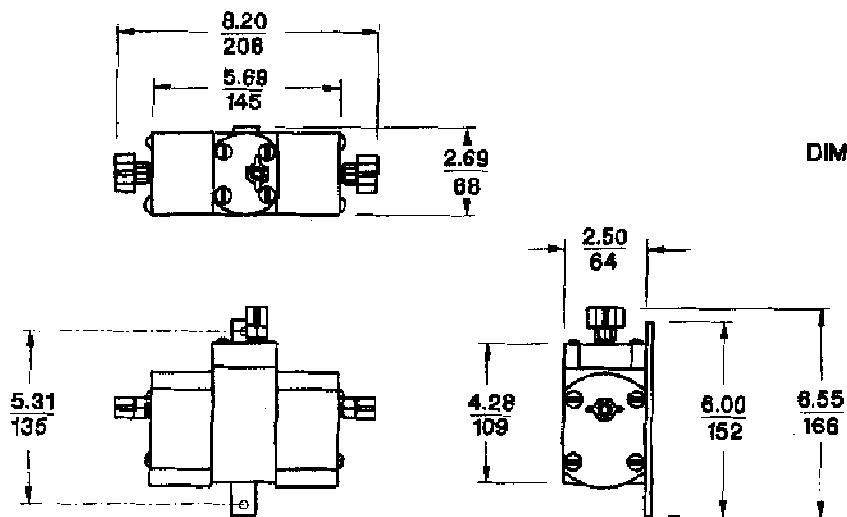


EJECTOR 500 PPD (10 KG/HR)
MODEL EJ-5



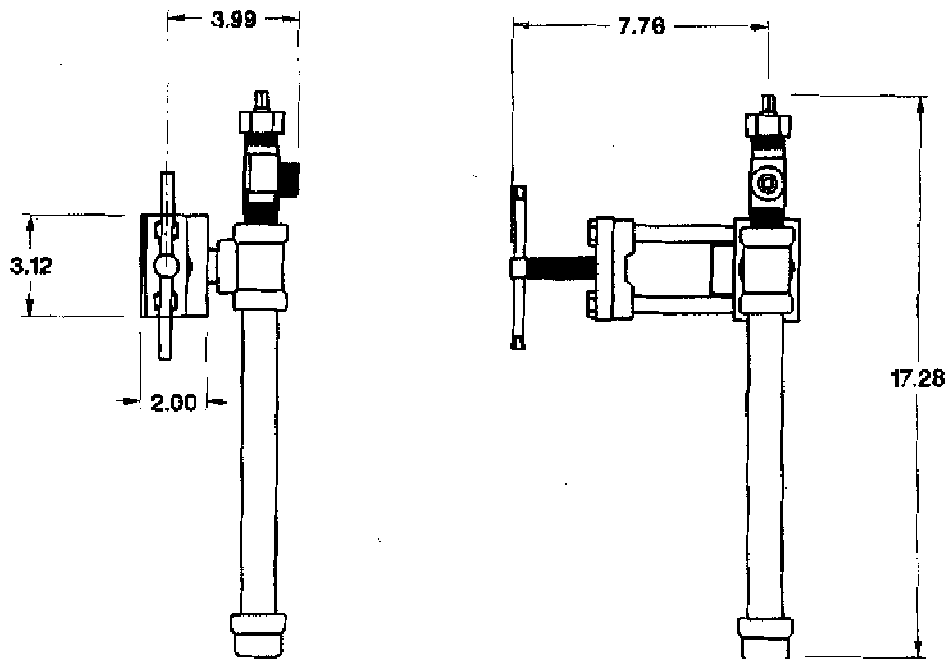
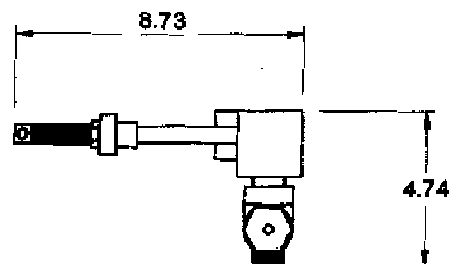
MODELS EJ-1, EJ-2





DIMENSIONS: INCHES
MILLIMETERS

AUTOMATIC SWITCHOVER MODULE UP TO 500 PPD (10 KG/HR)
MODELS SO-1, SO-2, SO-5



TON CONTAINER ADAPTOR