

WT3600

Modular Weigh Trunnion Scale



Features

- Modular design permits easy field expansion
- Easy to install - just bolt to the floor
- $\pm 0.25\%$ accuracy
- Electronic summing junction of an unlimited number of containers
- Factory assembled and calibrated
- Rugged cast base, trunnion rollers and axles for long life
- All stainless steel load cells and hardware
- Electronics housed in fiberglass NEMA 4X enclosure

WT3600

The WT3600 Weigh Trunnion Scale is an easy-to-install, modular, electronic scale for weighing one ton chlorine containers and similar cylindrical chemical containers. Each weigh trunnion consists of two special roller trunnions, each of which is fitted with an environmentally-sealed, stainless steel, strain gage load cell, electrically connected to provide an output signal which represents the weight of the cylinder and its contents. Load cells are shock mounted in rigid castings to prevent overload and shock damage.

The weigh trunnions are factory assembled and calibrated so that field installation consists merely of aligning the trunnions and bolting them to the floor. Their modularity permits easy expansion of an installation's cylinder weighing capacity by the addition of one or more WT3600s.

The trunnions are constructed using heavy-duty cast bases with highly corrosion and impact-resistant PET plastic rollers with stainless steel axles for durability and long ser-

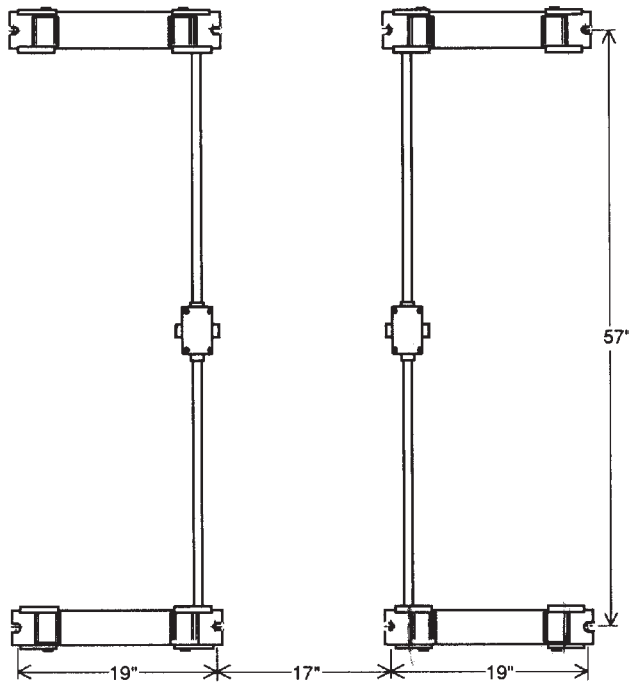
vice life. This rugged design resists corrosion and provides for easy container rotation. The trunnion castings are painted with an acrylic urethane enamel, and wiring is contained within a fiberglass NEMA 4X enclosure to insure that the scale holds up to the harsh water/waste-water treatment plant environment. The weigh trunnions are dimensioned so that they are entirely within the dimensions of the weighed container for accurate weighing. For local readout and signal transmission to remote instrumentation select from one of our Eagle Microsystems scale weight indicators.

Your Source for Precision Process Solutions

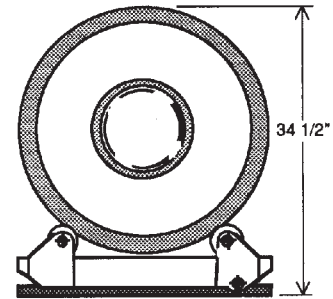
eagle
MICROSYSTEMS

WT3600

Modular Weigh Trunnion Scale



For installations in seismic active areas, optional earthquake safety straps are available. Order Model SS3600.



When more than one WT3600 is used the above minimum spacing is recommended.

Performance Specifications

Rated Capacity	4000 lbs. (1800 kg)
Operating Accuracy	0.25% of Rated Capacity
Nominal Output	0.5 mV/V
Nonlinearity	0.25% of Rated Capacity
Repeatability	0.25% of Rated Capacity

Temperature

Compensation Range	0 to 150° F.
Effect on Rated Output	0.0005%/°F.

Load

Safe Overload	200% of Rated Capacity
Ultimate Overload	400% of Rated Capacity

Electrical

Load Sensing Element	Strain Gage Load Cell
No. Load Cells/Scale	2
Excitation	5-15 Vdc
Electrical Connection	15 ft. 4 Cond. Cable

Materials

Load Cells	17-4 Stainless Steel
Rollers	PET Plastic
Axles	Stainless Steel
Shock Isolator	Fabcel 300
Hardware	Stainless Steel
Casting	Heavy duty Aluminum
Finish	Acrylic Urethane Enamel

Dimensions

19" X 57" X 5 1/2" H



Options

Electronic readout instruments - See Data Sheet EI-1000/2000
Safety straps for securing ton container to scale - Model SS3600
Extended rollers for European containers
Ton container rotation arm - Model RA3600
Ton container lifting beam - Model LB3600
Universal dolly for transporting containers - Model UD3600
Roller trunnions for off scale storage - Model RT3600
Storage cradles - Model ST3600

